



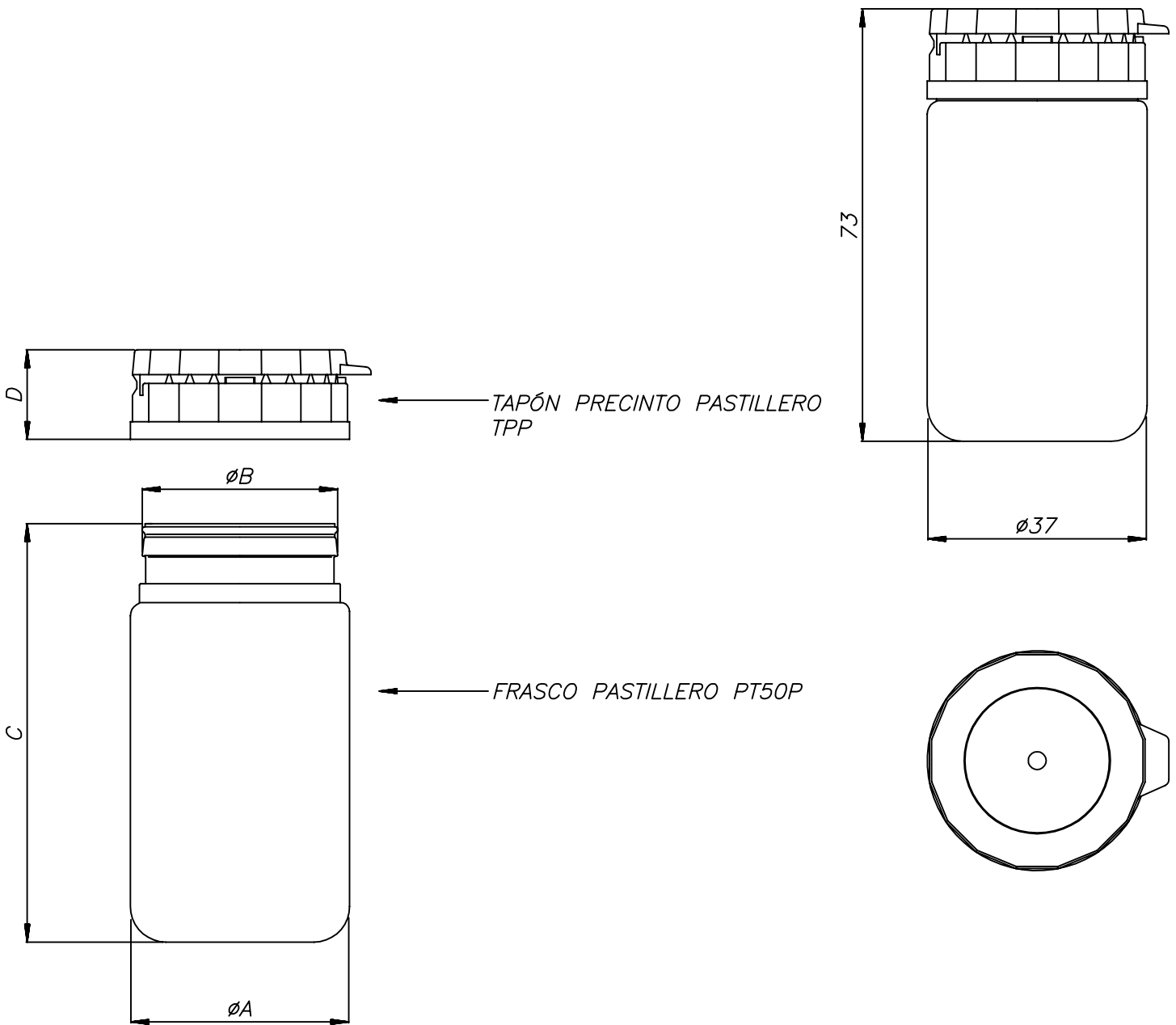
STE PACKAGING DEVELOPMENT



PASTILLERO 50



PASTILLERO 50



BRIMFUL CAPACITY	
PT50P	52 ml

DIMENSION (mm)	
Ø A	37
Ø B	33
C	70.6
D	15.1

	WEIGHT (gr)	MATERIAL
PT50P	9	PP
TPP	4.1	PELD